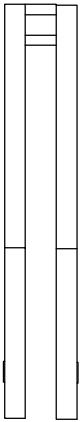
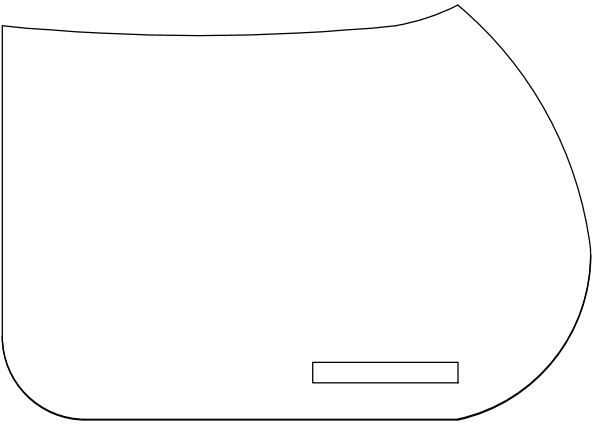


Left Flap



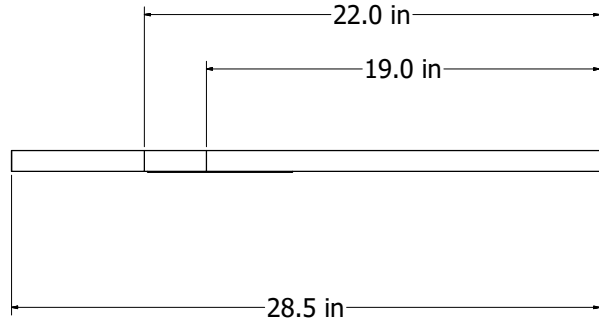
Mesh Connection



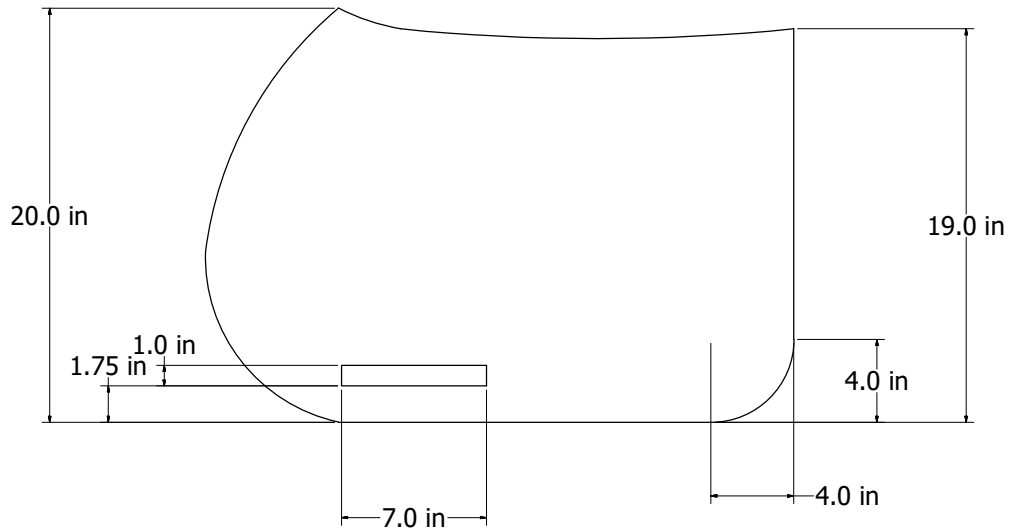
Right Flap

NAME	Sabrina Wood
PROJECT	Saddle Pad
DATE	12-11-20
DESCRIPTION	Made of cotton, nylon, and mesh with antimicrobial properties this saddle pad will limit the growth of bacteria and fungus therefore working to eliminate infections on horses' backs.

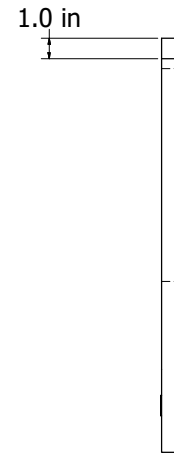
Top View



Right View

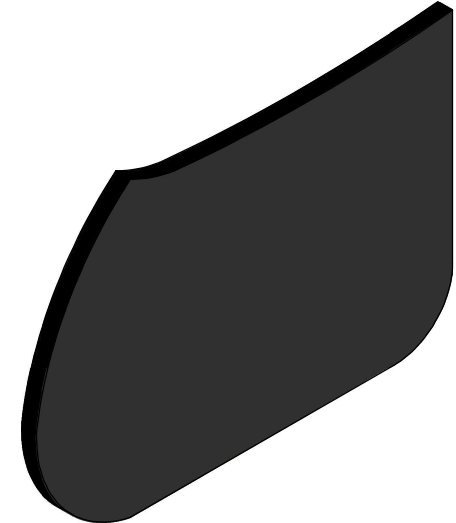
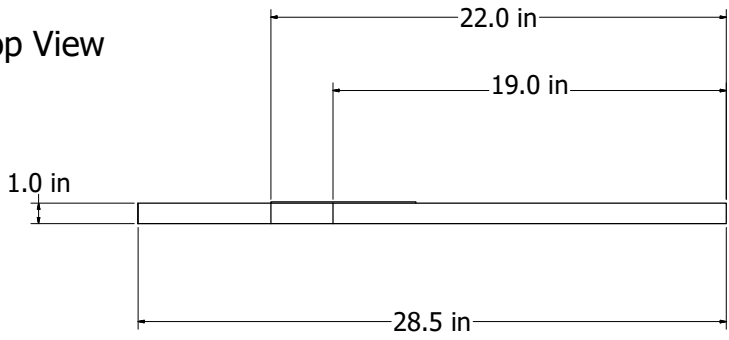


Front View

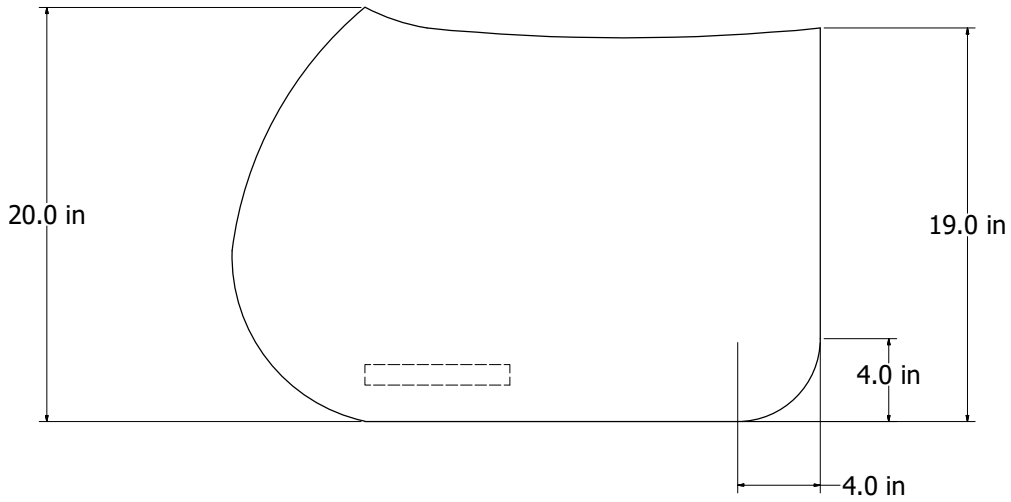


NAME	Sabrina Wood
PROJECT	Saddle Pad
DATE	12-11-20
PART	Left Panel

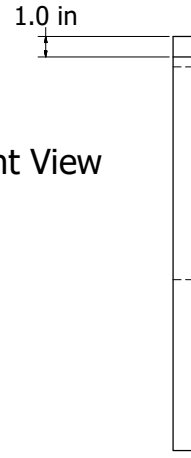
Top View



Right View

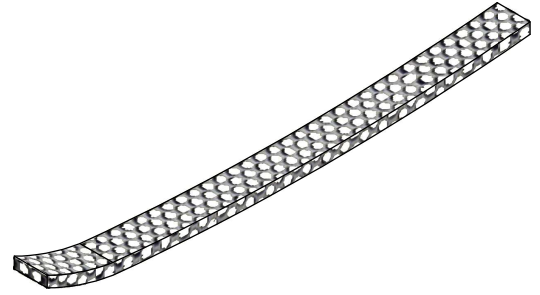
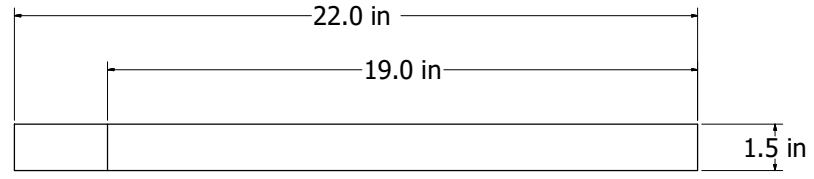


Front View

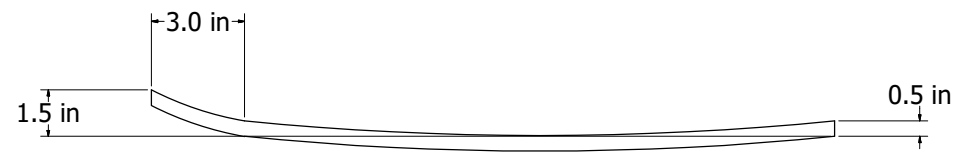


NAME	Sabrina Wood
PROJECT	Saddle Pad
DATE	12-11-20
PART	Right Panel

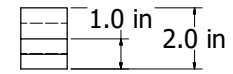
Top View



Right View



Front View



NAME	Sabrina Wood
PROJECT	Saddle Pad
DATE	12-11-20
PART	Middle Connector